

GUARANTEE & LIABILITY

Your Perrin & Rowe product has been manufactured to exacting standards. However, in the unlikely event that you should experience any defect, the following guarantees will apply:

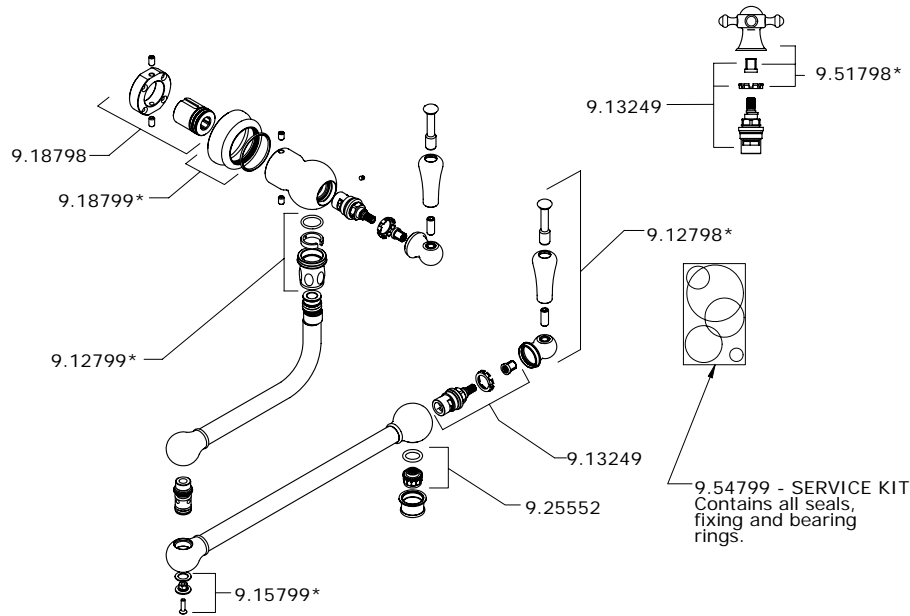
Your Perrin & Rowe product is guaranteed against any mechanical defect within five years of the date of purchase. Should a fault occur; a free replacement part will be issued. In the event that this does not resolve the defect, a replacement product will be supplied.

The surface finish of Perrin & Rowe products are guaranteed for one year from the date of purchase. This is provided our care and maintenance instructions have been followed and that no scouring or aggressive cleaning agents have been used.

This does not affect your statutory rights.

For full terms and conditions please contact Perrin & Rowe.

SPARES



* Where indicated please specify colour

SPARE PARTS & SERVICE



Phone: +44 (0) 1708 526361
Fax: +44 (0) 1708 550220

enquiries@perrinandrowe.co.uk
www.perrinandrowe.co.uk

Perrin & Rowe products are manufactured in the UK, using the latest technology and built to the highest quality standards.

We would like to thank you for purchasing a Perrin & Rowe product and take this opportunity to invite you to look at other luxury products by us. Please contact us to receive our latest catalogue.



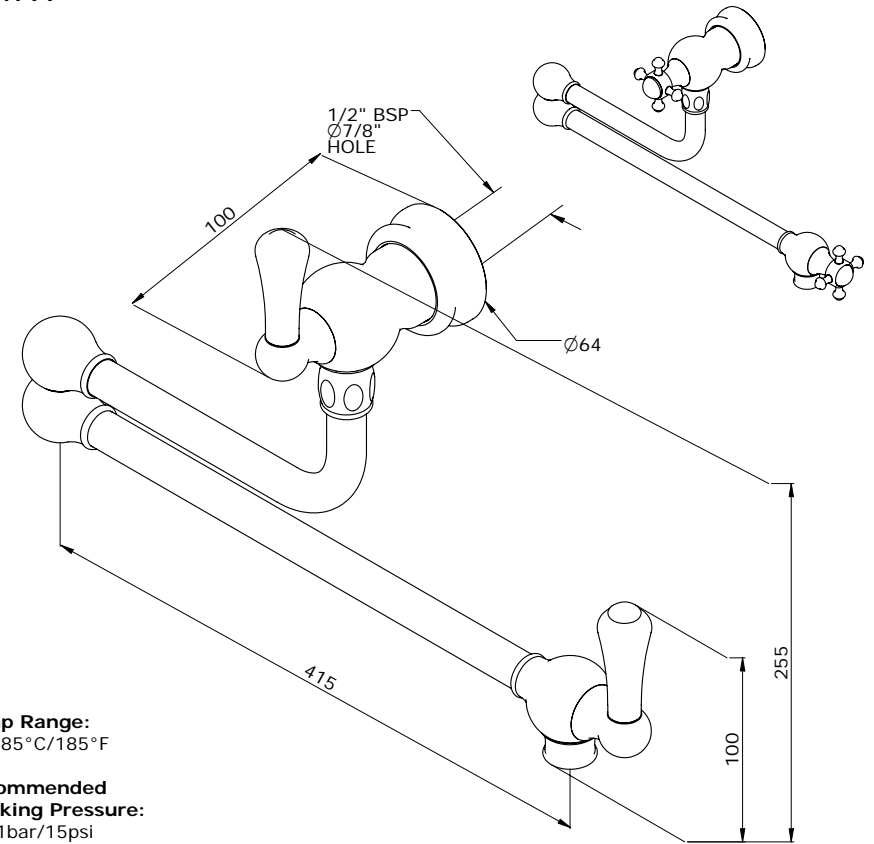
The Country Kitchen Collection

Installation & User Guide

COUNTRY POT FILLER

• 4799

• 4798



Temp Range:
Max 85°C/185°F

Recommended Working Pressure:
Min 1bar/15psi
Max 5bar/75psi

Full Extended Reach 605

The Country Kitchen Collection
Installation & User Guide

Congratulations on the purchase of your Perrin & Rowe Kitchen Product. Correctly installed and with sensible care, this product will give you many years of trouble free service.

IMPORTANT INFORMATION

Please note: Do not disassemble the unit for installation.

Before you proceed... We recommend you engage the services of a registered plumber to install this product.

For ease of possible future servicing, we also recommend the fitting of conveniently placed isolating valves.

In addition to the guide below it is essential that the written information overleaf is carefully read and understood.

Please note: If the Pot Filler is not in use or left unsupervised, ensure both levers are in the closed position.

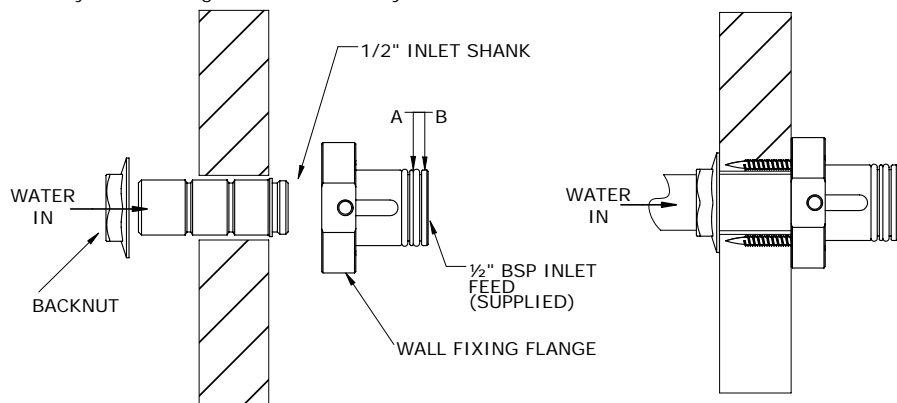
Preparation Check Box for Installer

- Flush the plumbing system before installing the Kitchen product. When installing on internal walls appropriate reinforcement may be required for sufficient strength. Ensure the mounting surface is level.

1 Position plumbing to suit installation, taking into account the suitable height and reach.

Remove 1/2" BSP wall connector from pot filler assembly.

Ensure black rubber O Rings are fitted at positions A and B on the BSP inlet feed. Check they are undamaged and free from any debris.



Screw the BSP inlet feed onto the inlet shank using a 1/2" AF Allen Key. Screw backnut onto inlet shank for reinforcement.

Once tightened adjust so that the wall fixing flange is level. Place a spirit level onto the flat of the wall fixing flange. Adjust the depth of the fixing flange accordingly.

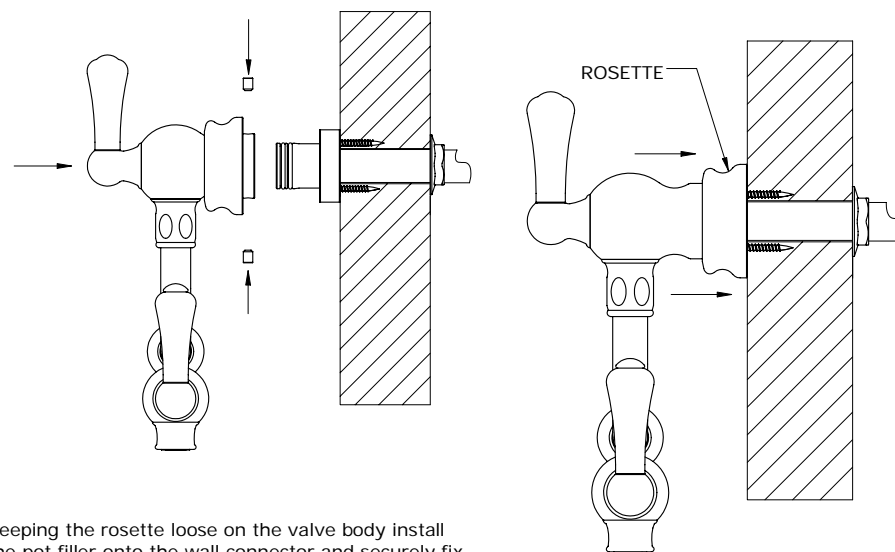
Secure the wall fixing flange to the wall with the supplied screws. Alternatively, please use the correct fixing to suit the installation.

Ensure all connections are firmly tightened.

2

Once the BSP connector is fixed to wall surface, position the rosette onto the valve body. Ensure all O Rings are correctly installed as shown in diagrams.

Slide the rosette over the concealed fixing screws until it is flush with mounting surface.



Keeping the rosette loose on the valve body install the pot filler onto the wall connector and securely fix with the 2 concealed fixing screws. Ensuring that the screws are secured firmly into the keyway.

IMPORTANT: Ensure fixing screws are fully tightened using maximum leverage.

BEFORE USE

- Carefully check the installation for leaks.
- If further building work is to be carried out in the vicinity, cover the pot filler with a plastic bag to avoid damaging the finish.
- Please ensure that the installation complies with local plumbing codes.

CARE & MAINTENANCE

Wipe down after use to avoid water spotting and mineral build up. Occasional cleaning with warm soapy water, followed by a polish with a soft cloth is all that is required to keep the plated finish in good condition.

Do not use proprietary abrasive liquids, powders, or pads to clean the pot filler. Do not use any products with ammonia bleach or limescale remover. You will damage the plated finish and void your guarantee.